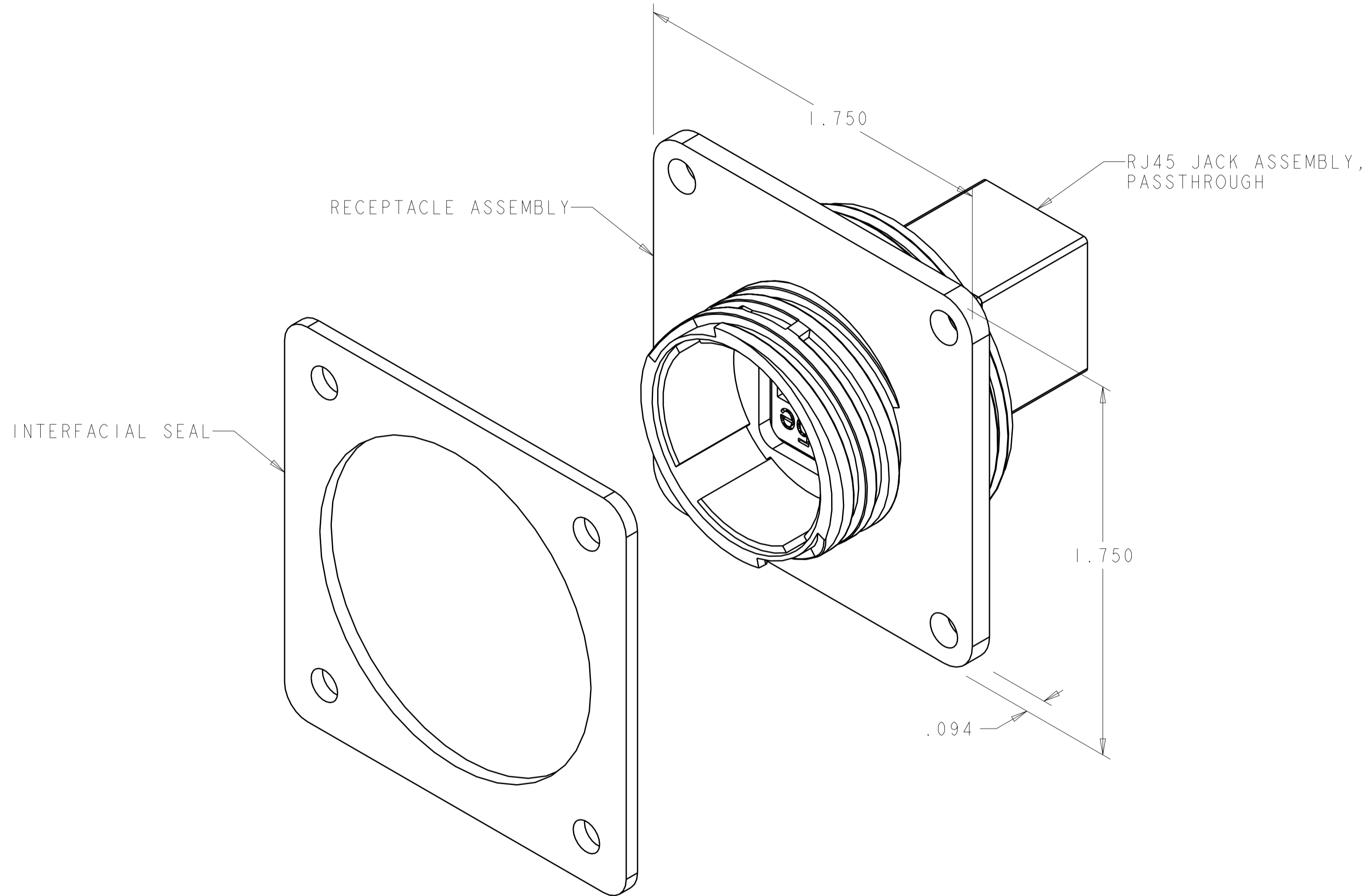


THIS DRAWING IS UNPUBLISHED. RELEASED FOR PUBLICATION 20  
 © COPYRIGHT 20 BY TYCO ELECTRONICS CORPORATION. ALL RIGHTS RESERVED.

LOC		DIST		REVISIONS			
P	LTR	DESCRIPTION	DATE	DWN	APVD		
	O	RELEASED EC 063B-0651-04	30JUL2004	SW	HW		
	A	REVISED EC 063B-0734-04	08SEP2004	SW	HW		
	B	REVISED ECO-07-007048	28MAR2007	SW	MS		
	BI	REVISED ECO-07-022509	25SEP2007	SW	MS		



1776186-1  
 PART NUMBER

THIS DRAWING IS A CONTROLLED DOCUMENT FOR TYCO ELECTRONICS CORPORATION. IT IS SUBJECT TO CHANGE AND THE CONTROLLING ENGINEERING ORGANIZATION SHOULD BE CONTACTED FOR THE LATEST REVISION.		DWN	S. WELDON	30JUL2004	Tyco Electronics Harrisburg, PA 17105-3608
DIMENSIONS: INCHES		CHK	H. WAKEEM	30JUL2004	
TOLERANCES UNLESS OTHERWISE SPECIFIED:		APVD	H. WAKEEM	30JUL2004	
0 PLC ±- 1 PLC ±0.1 2 PLC ±0.02 3 PLC ±0.005 4 PLC ±0.0005 ANGLES ±- FINISH		PRODUCT SPEC	NAME		
MATERIAL	-	APPLICATION SPEC	RECEPTACLE KIT, UNSHIELDED, PASSTHROUGH, CPC INDUSTRIAL ETHERNET		RESTRICTED TO
		WEIGHT	A2 00779 C-1776186		
CUSTOMER DRAWING		SCALE	3:1	SHEET	OF
				REV	BI